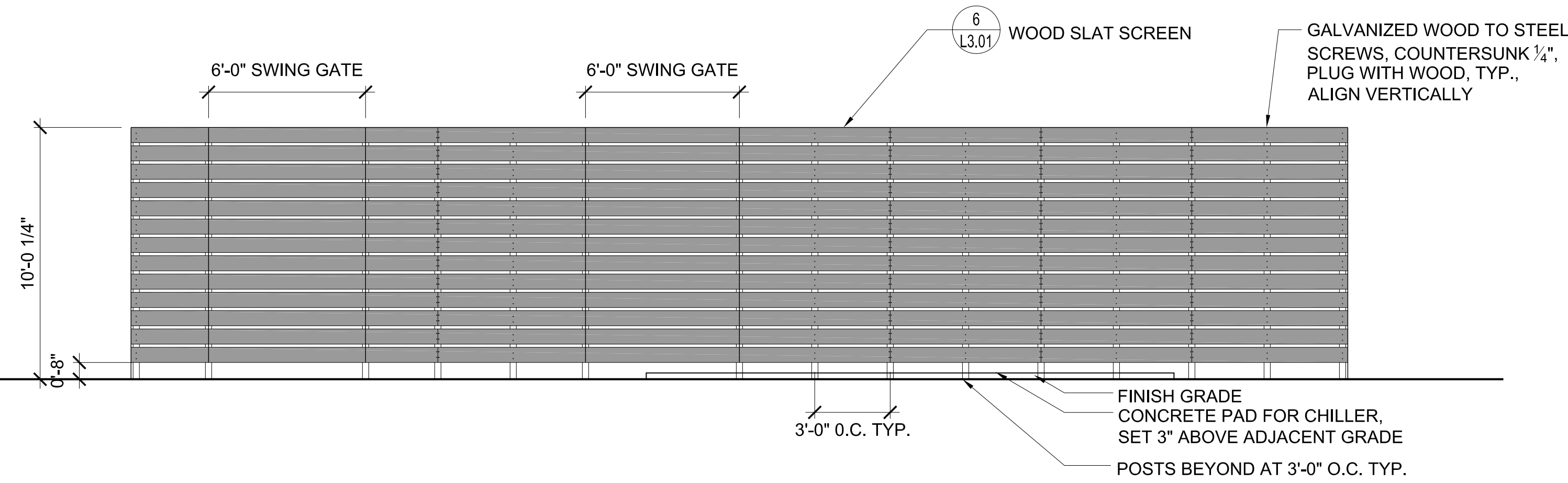


concrete pad size and wood screen enclosure dimensions are based on the basis of design equipment. Pad size and enclosure size shall be verified with equipment manufacturers of actual equipment installed.

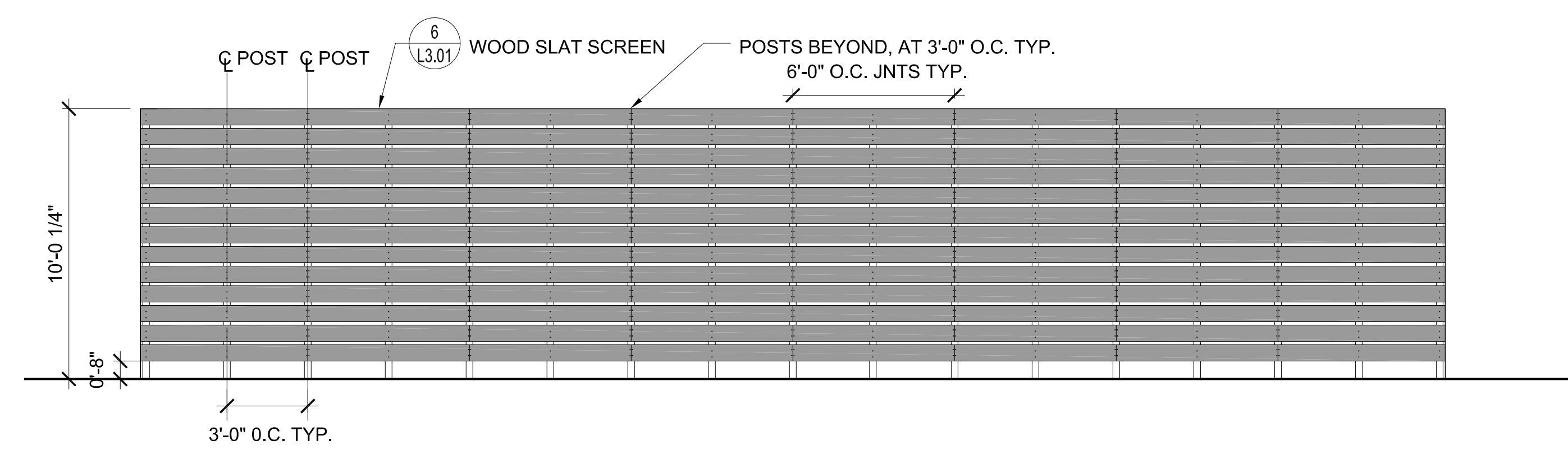
1 UTILITY ENCLOSURE #1
PLAN ENLARGEMENT

NORTH
SCALE: 1/4"=1'-0"



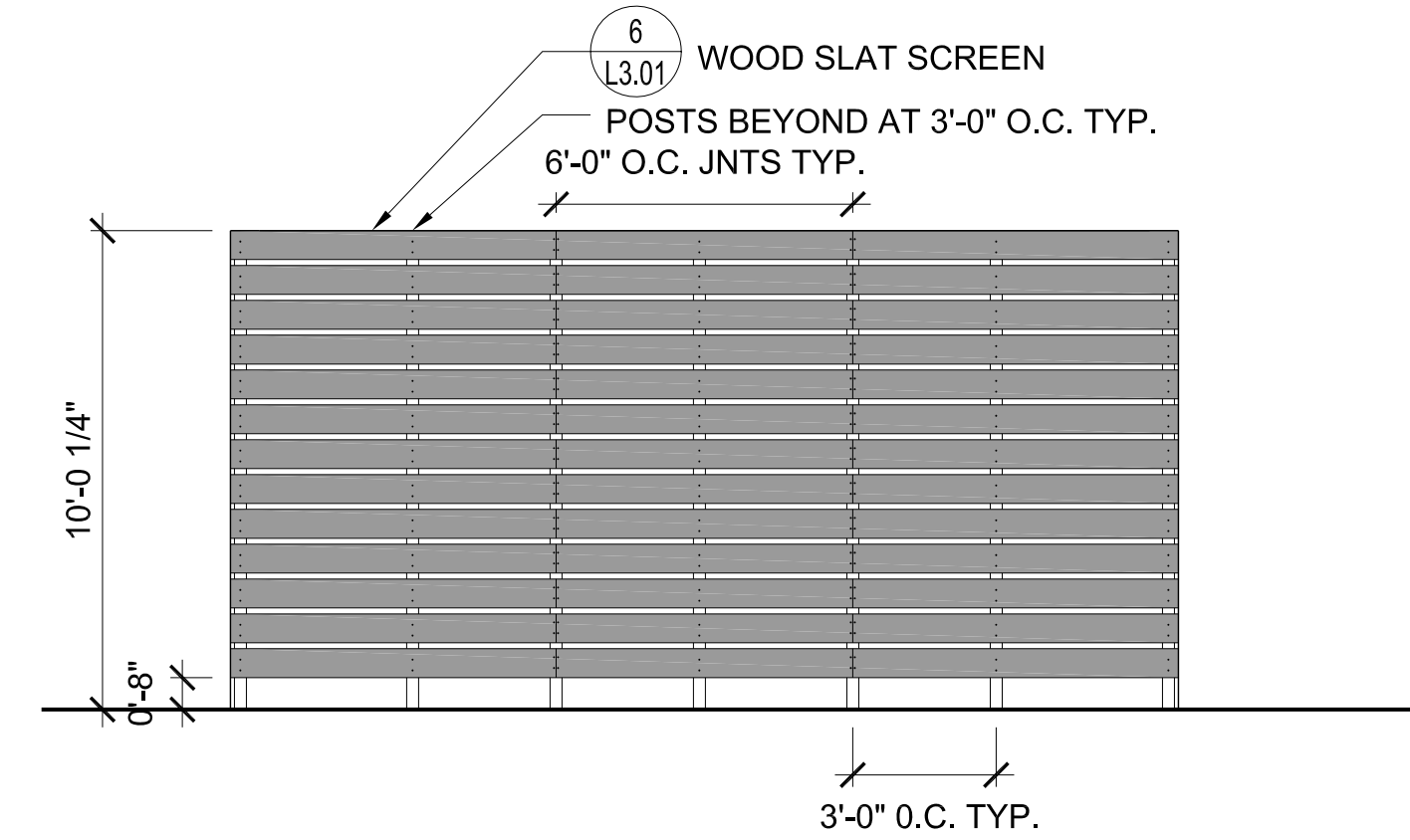
2 UTILITY ENCLOSURE #1
NORTHEAST ELEVATION

SCALE: 1/4"=1'-0"



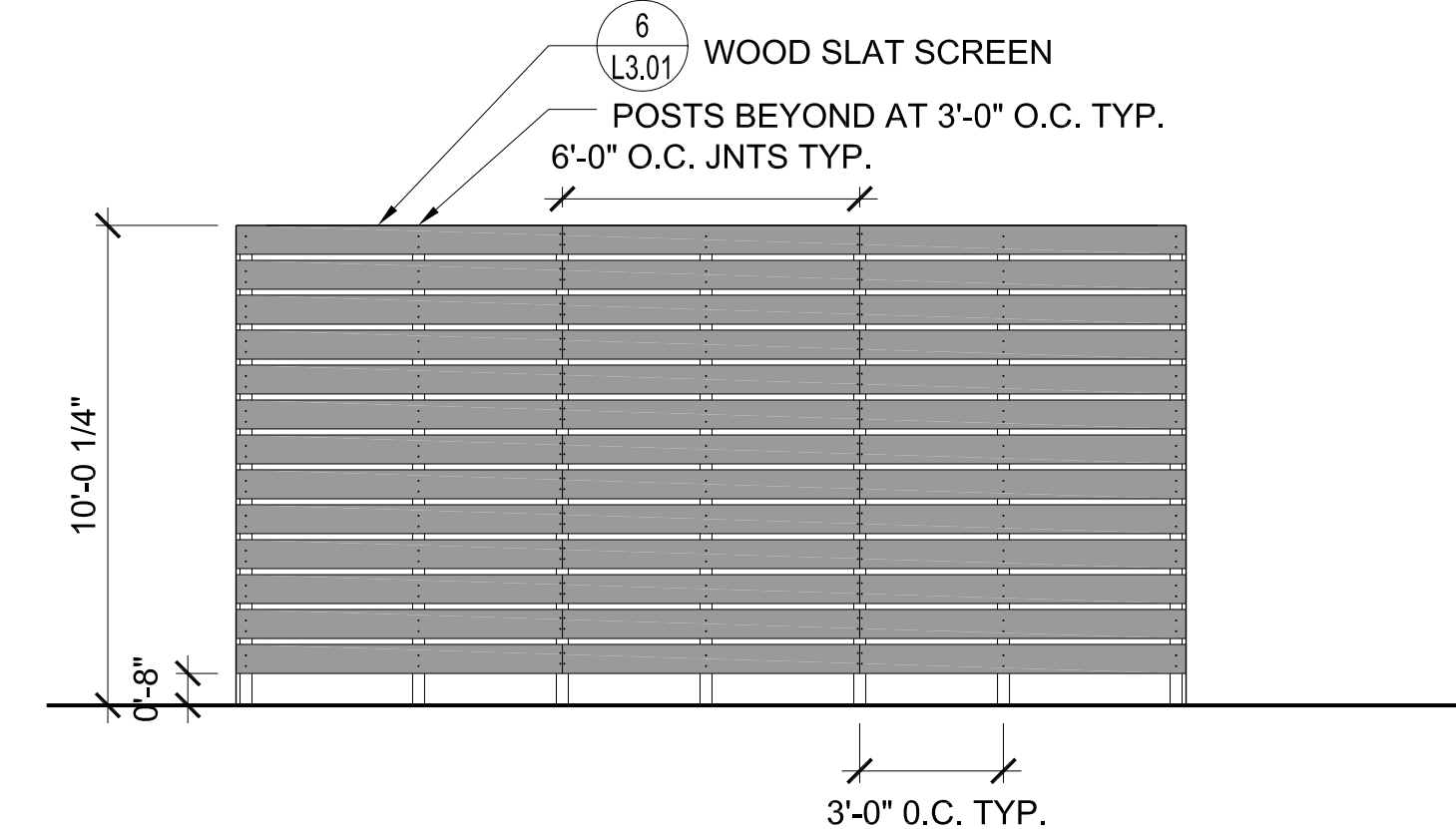
4 UTILITY ENCLOSURE #1
SOUTHWEST ELEVATION

SCALE: 1/4"=1'-0"



3 UTILITY ENCLOSURE #1
NORTHWEST ELEVATION

SCALE: 1/4"=1'-0"



5 UTILITY ENCLOSURE #1
SOUTHEAST ELEVATION

SCALE: 1/4"=1'-0"

NOTES:
1. Concrete pad size and wood screen enclosure dimensions are based on the basis of design equipment. Pad size and enclosure size shall be verified with equipment manufacturers of actual equipment installed.

PLAN REVISIONS -

SHEET L2.40
55 OF 80

NATIONAL LIBRARY FOR THE
STUDY OF GEORGE WASHINGTON
FAIRFAX COUNTY, VIRGINIA
UTILITY ENCLOSURES

DATE: 01/14/2011
DESIGNER: DS
CAD: LK/KP
CHECKED: JC
JOB#: 109-084



AYERS
SAINT
GROSS
ARCHITECTS + PLANNERS

P:\2010\01_14_2011_Vernon_Nest_Library\05_Drawings\02_Landscape\01_AutoCAD\L2.40_UTILITY_ENCLOSURES.dwg, Jan 12, 2011 - 5:43pm, RKK_SITECTB, Plot Scale 1:1, Plot By: dpheredos, TabL2.40