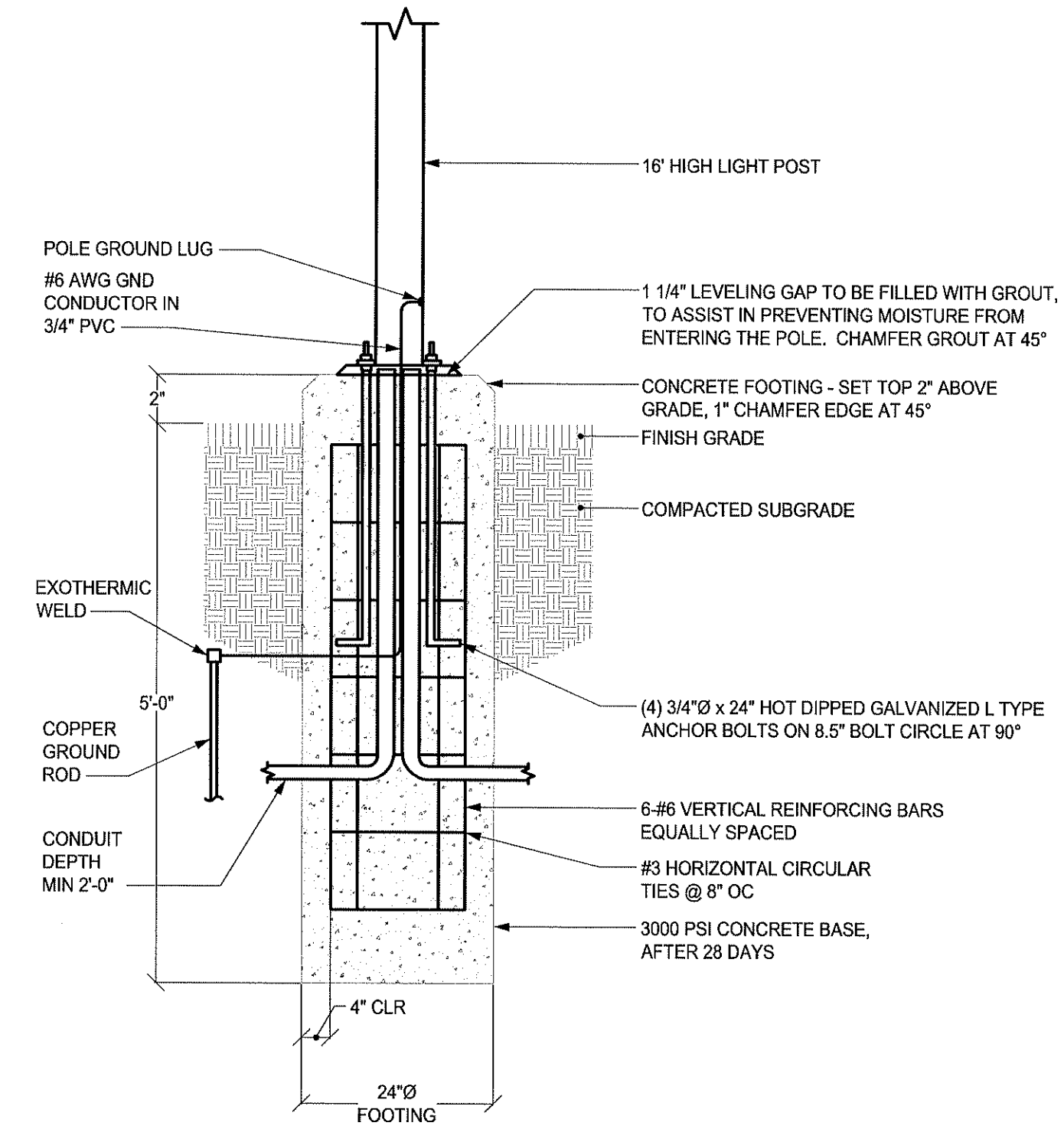
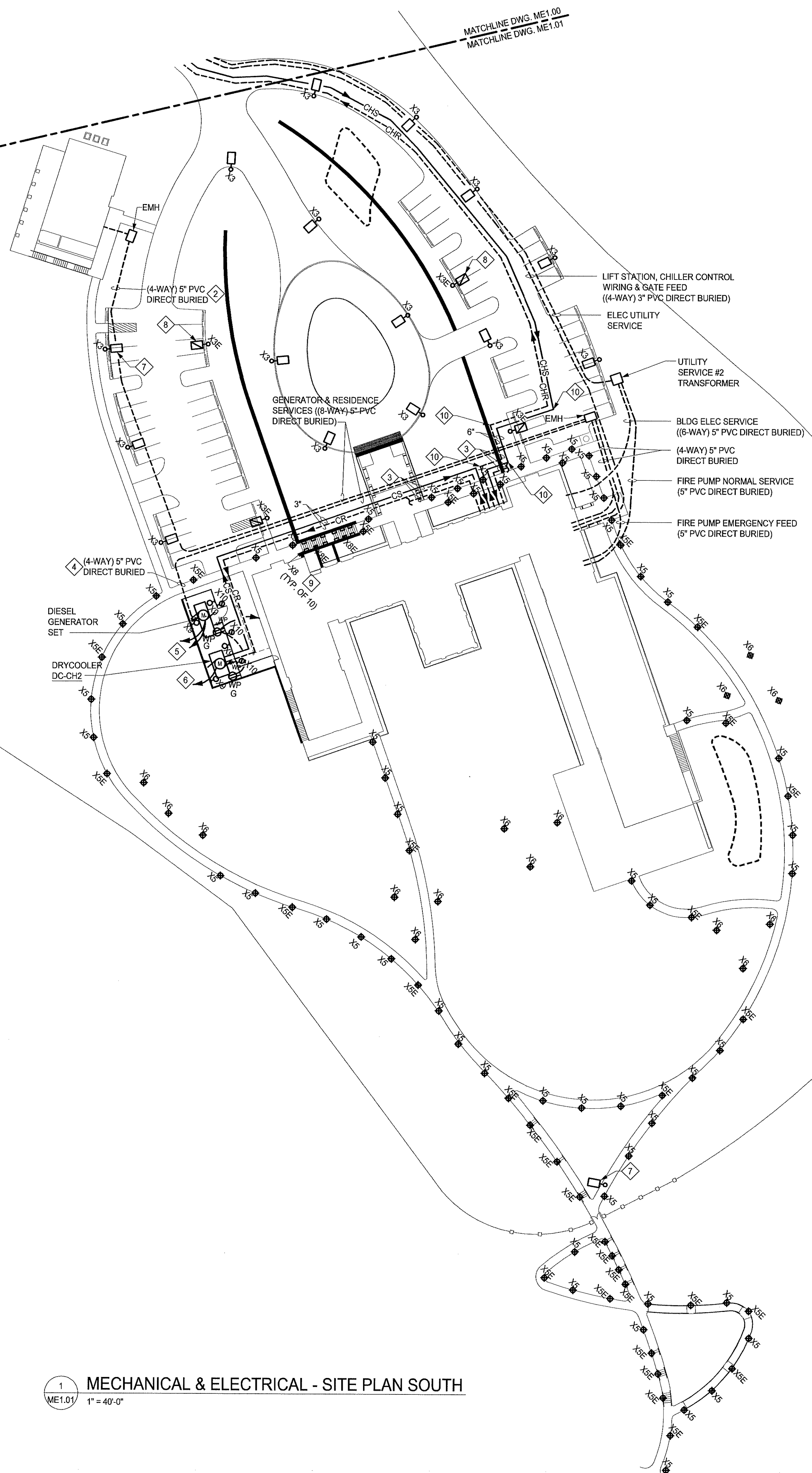


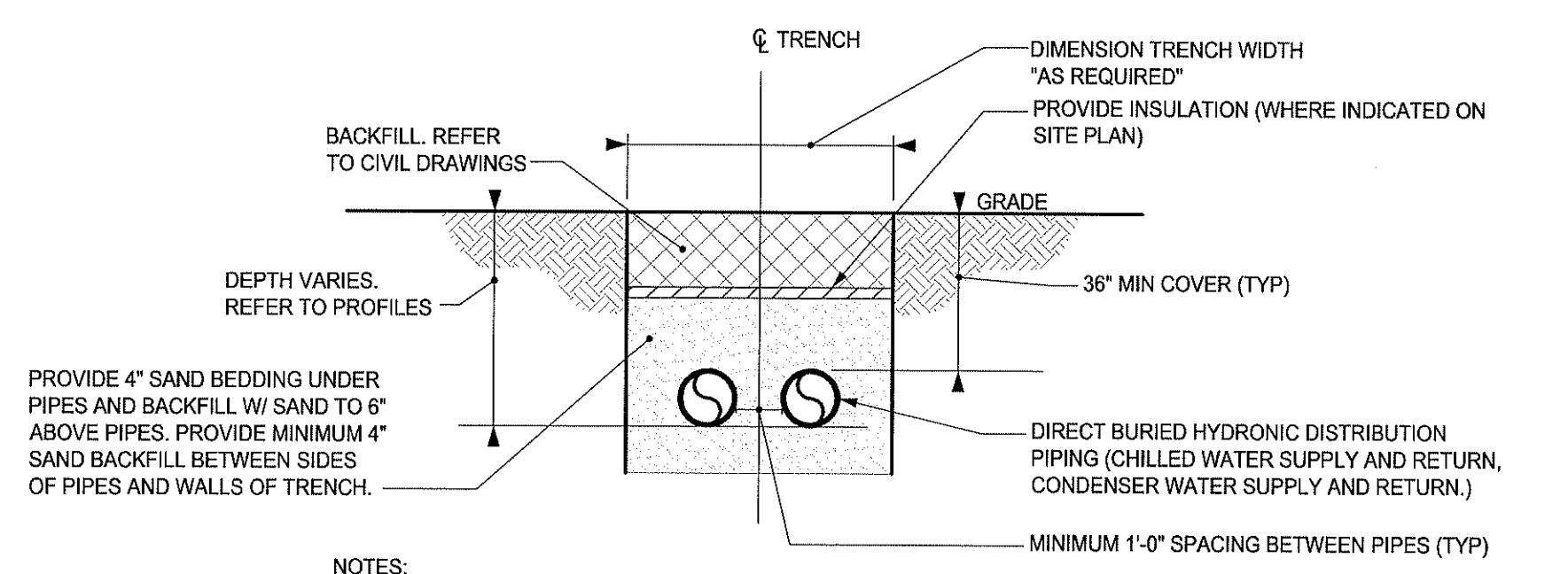
LIGHTING FIXTURE SCHEDULE						
FIXTURE TYPE	MOUNTING	MANUFACTURER(S)	CATALOG OR MODEL NUMBER	LAMPS	VOLTS	REMARKS
X3	POLE	BEGA, SELUX, DESIGNPLAN	8141MH-12'	ONE 70 W T6 CERAMIC METAL HALIDE	277	TRAPAZOID POLE LIGHT, 16-FT HIGH ROUND POLE. REFER TO POLE BASE DETAIL C/ME1.01
X5	LANDSCAPE	BK-LIGHTING, HYDREL, LUMIERE, VISTA PRO	SF-2-BZW-10-11-A-30-B-XX	LED	277	PATHWAY LIGHTS
X6	LANDSCAPE	BK-LIGHTING, WINONA, VISION3 LIGHTING	8-LS-9-BZW-8-10-11	LED	277	TREE UPLIGHTS
X8	WALL RECESSED	BEGA, DESIGNPLAN	2230LED	LED	277	EXTERIOR IN WALL STAIR LIGHTS
X9	WALL SURFACE	GARDCO, MCGRAW EDISON	101-MT-Z32TRF	TWO CF32TRT/E/IN/830	277	EXTERIOR WALL PACK
X10	WALL SURFACE	BEGA	2483P	ONE CF32TRT/E/IN/830	277	EXTERIOR WALL PACK

MATCHLINE DWG. ME1.00
MATCHLINE DWG. ME1.01

MATCHLINE DWG. ME1.00
MATCHLINE DWG. ME1.01



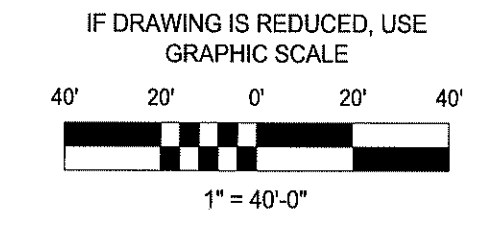
A DETAIL - CONCRETE LIGHT POLE BASE
ME1.01 NOT TO SCALE



B TYPICAL TRENCH SECTION - CHILLED WATER AND CONDENSER WATER
ME1.01 NOT TO SCALE

- DRAWING NOTES:**
- RUN ALL LOW-VOLTAGE WIRING PRIOR TO INSTALLATION OF WALKWAYS AND FINAL GRADING.
 - REFER TO LANDSCAPE DRAWINGS FOR EXACT FIXTURE LOCATIONS.
 - TREE LIGHTS SHALL BE AIMED AND LOCATED IN THE FIELD.
 - COORDINATE ALL TRENCHING NEAR TREES WITH PROJECT ARBORIST.
 - PROVIDE FLEXIBLE PADS ON THE SIDES OF ALL LEGS OF 90° ELBOWS BETWEEN PIPING OUTER JACKET AND BACKFILL FOR EXPANSION COMPENSATION.
- SPECIAL NOTES:**
- REFER TO CIVIL UTILITY COMPOSITE PLAN FOR ROUTING OF NORMAL ELECTRICAL SERVICE TO BUILDING.
 - REFER TO CIVIL UTILITY COMPOSITE PLAN FOR ROUTING OF NORMAL ELECTRICAL FEED FROM LIBRARY TO SCHOLAR'S HOUSE.
 - REFER TO CIVIL UTILITY COMPOSITE PLAN FOR ROUTING OF DIRECT-BURIED, PIPING AND CONTROL WIRING CONDUIT.
 - REFER TO CIVIL UTILITY COMPOSITE PLAN FOR ROUTING OF EMERGENCY GENERATOR FEEDER TO BUILDING.
 - 120V CIRCUITS FOR JACKET WATER HEATER AND BATTERY CHARGER VIA DUCT BANK.
 - DC-CH2 FED FROM PANEL SHB IN EMERGENCY ELECTRICAL ROOM.
 - SECURITY EMERGENCY CALL BUTTON STATION. REFER TO SECURITY 'SC' DRAWINGS. PROVIDE 120-V EMERGENCY CIRCUIT.
 - SECURITY CAMERA MOUNTED TO LIGHT POLE. PROVIDE 120-V EMERGENCY CIRCUIT & PATHWAY FOR DATA WIRING (TWO 1\"/>

1 MECHANICAL & ELECTRICAL - SITE PLAN SOUTH
ME1.01 1\"/>



PLAN REVISIONS -	
SHEET ME1.01	SCALE 1\"/>
NATIONAL LIBRARY FOR THE STUDY OF GEORGE WASHINGTON FAIRFAX COUNTY, VIRGINIA	
MECHANICAL & ELECTRICAL - SITE PLAN SOUTH	
DATE: 01/14/11	CHECKED: TUG
ENGINEER: NAK/KES	JOB#: 4687-SF-05-2
CAD: NAK	
1401 S. EDGEWOOD ST BALTIMORE, MD 21227 (P) 410 646-4500 (F) 410 646-4738	